

# Nástrčné šroubení - kovové / Push-in Fittings

## Řada BU 50000 / BU 50000 Series



| Technické údaje / Technical data:                                     |  |
|---|--|
| Rozsah tlaku / Pressure range   | 0,099 ÷ 1,5 MPa  |
| Rozsah teplot / Temperature range                                     | -20°C ÷ +80°C  |
| Pracovní poloha / Working position                                    | libovolná/Any  |
| Připojovací závit<br>Connecting thread                                | Válcový - s těsnícím "O", kroužkem (ISO 228 třída A)<br>Cylindrical - with "O", sealing ring (ISO 228 Class A)   |
| Pracovní médium / Working medium                                      | Tlakový vzduch, vakuum / Pressure air, vacuum  |
| Použité materiály / Material used:                                    |  |
| Těleso, pouzdro,<br>bezpečnostní kroužek<br>Body, casing, safety ring | Mosaz OT 58 UNI 5705 (CuZn40Pb2), galvanicky<br>poniklována<br>OT 58 UNI 5705 brass (CuZn40Pb2), nickel galvanized   |
| Přítlačný kroužek / Mate adapter                                      | Polyacetalová pryskyčice / Polyacetal resin  |
| Upínací břit / Fixing blade   | Nerezavějící ocel / Stainless steel  |
| Těsnící kroužek, závitové těsnění<br>Packing ring, thread sealing     | NBR 70<br>NBR 70   |
| Doporučené hadice:<br>Hoses suggested:                                |  |
| Materiál<br>Material  | Plastové hadičky pod označením PE, PA, PU, PTFE<br>Plastic hoses indicated PE, PA, PU, PTFE<br>Polyethylen, Rilsan PA 11, Nylon PA6, Teflon,...<br>Polyethylene, PA 11 Rilsan, PAL Nylon, Teflon, etc. |
| Vnější průměr v (mm)<br>External diameter in (mm)                     | 4, 5, 6, 8, 10, 12, 14 mm ( i nekalibrované)<br>4, 5, 6, 8, 10, 12, 14 mm (non-calibrated also)  |

### Montáž:

Montáž hadičky: kolmo seříznutou hadičku nastrčit do otvoru až k dorazu.

Demontáž hadičky: zmáčkнуть přítlačný kroužek směrem k tělesu šroubení a vyjmout hadičku

### Assembly:

Hose assembly: To put into vertically cut hose opening all the way up to stop. Hose disassembly: To squeeze the pressure ring towards the socket body and pull the hose off.

### Doplňující údaje:

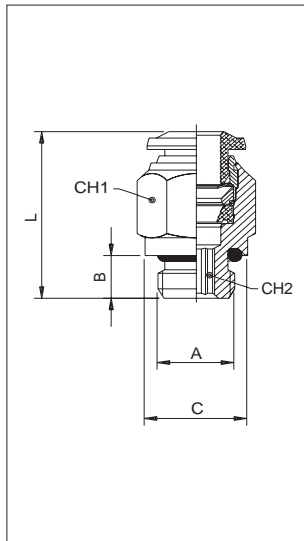
- Všechna závitová provedení jsou vybavena těsnícími kroužky, které umožňují přímou montáž a zkracují její čas. Mohou být montována také pomocí imbusového klíče a je tedy možné je použít i ve stísněných prostorách.
- Upínací břit z nerezavějící oceli zajišťuje perfektní uchycení hadiček takřka z jakýchkoli materiálů.
- Dokonalé těsnění je zajištěno i v obtížných podmínkách např. při nárazech či vibracích.
- Přesný geometrický tvar těsnícího elementu zajišťuje dokonalé utěsnění i ve vakuu.

### Additional data:

- All threaded products are equipped with sealing rings permitting direct assembly and reducing time. They can be also mounted by using an Imbus wrench, and so it is possible to use them even at tight areas.
- Fixing blade made of stainless steel ensures perfect fixing of hoses made nearly of any material.
- Perfect sealing is secured even under hard conditions, e.g. during impacts or vibration.
- Precise geometric shape of the sealing element ensures perfect fixing even within the vacuum.

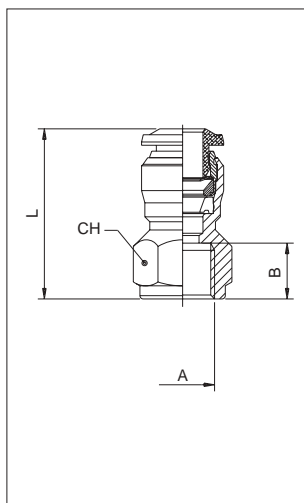
# Nástrčné šroubení - kovové / Push-in Fittings

## Řada BU 50000 / BU 50000 Series



### Šroubení manometrové přímé Straight male adaptor (paralel)

| Typ<br>Type   | Obj. číslo<br>Order No. | Hadička<br>Hose | A  | B        | C  | L  | CH <sub>1</sub> | CH <sub>2</sub> |    |
|---------------|-------------------------|-----------------|----|----------|----|----|-----------------|-----------------|----|
| GS-53B        | BU 50020                | M53             | 3  | M5       | 4  | 8  | 19              | 8               | 2  |
| GS-54B        | BU 50020                | M54             | 4  | M5       | 4  | 8  | 21              | 10              | 2  |
| GS-184B       | BU 50020                | G184            | 4  | 1/8      | 6  | 13 | 20              | 10              | 3  |
| GS-144B       | BU 50020                | G144            | 4  | 1/4      | 8  | 16 | 19,5            | 16              | 3  |
| GS-55B        | BU 50020                | M55             | 5  | M5       | 4  | 8  | 23,5            | 12              | 2  |
| GS-185B       | BU 50020                | G185            | 5  | 1/8      | 6  | 13 | 22              | 12              | 4  |
| GS-56B        | BU 50020                | M56             | 6  | M5       | 4  | 10 | 24,5            | 13              | 2  |
| GS-186B       | BU 50020                | G186            | 6  | 1/8      | 6  | 13 | 23,5            | 13              | 4  |
| GS-146B       | BU 50020                | G146            | 6  | 1/4      | 8  | 16 | 23,5            | 13              | 4  |
| GS-386B       | BU 50020                | G386            | 6  | 3/8      | 9  | 20 | 25              | 13              | 4  |
| GS-126B       | BU 50020                | G126            | 6  | 1/2      | 10 | 25 | 27              | 13              | 4  |
| GS-188B       | BU 50020                | G188            | 8  | 1/8      | 6  | 13 | 25              | 14              | 5  |
| GS-148B       | BU 50020                | G148            | 8  | 1/4      | 8  | 16 | 23              | 14              | 6  |
| GS-388B       | BU 50020                | G388            | 8  | 3/8      | 9  | 20 | 24              | 14              | 6  |
| GS-128B       | BU 50020                | G128            | 8  | 1/2      | 10 | 25 | 26,5            | 14              | 6  |
| GS-1410B      | BU 50020                | G1410           | 10 | 1/4      | 8  | 16 | 30,5            | 17              | 6  |
| GS-3810B      | BU 50020                | G3810           | 10 | 3/8      | 9  | 20 | 27,5            | 17              | 8  |
| GS-1210B      | BU 50020                | G1210           | 10 | 1/2      | 10 | 25 | 27              | 17              | 8  |
| GS-1412B      | BU 50020                | G1412           | 12 | 1/4      | 8  | 16 | 34,5            | 20              | 6  |
| GS-3812B      | BU 50020                | G3812           | 12 | 3/8      | 9  | 20 | 34              | 20              | 8  |
| GS-1212B      | BU 50020                | G1212           | 12 | 1/2      | 10 | 25 | 31              | 22              | 10 |
| GS-3814B      | BU 50020                | G3814           | 14 | 3/8      | 9  | 20 | 35              | 21              | 10 |
| GS-1214B      | BU 50020                | G1214           | 14 | 1/2      | 10 | 25 | 32              | 22              | 10 |
| GS-M12x16B    | BU 50020                | M1216           | 6  | M12x1    | 8  | 15 | 23,5            | 13              | 4  |
| GS-M12x1,256B | BU 50020                | M121256         | 6  | M12x1,25 | 8  | 15 | 23,5            | 13              | 4  |
| GS-M12x1,56B  | BU 50020                | M12156          | 6  | M12x1,5  | 8  | 15 | 23,5            | 13              | 4  |

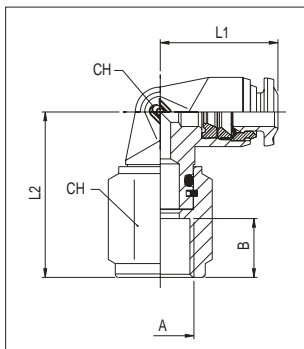


### Šroubení manometrové přímé Straight female adaptor (paralel)

| Typ<br>Type | Obj. číslo<br>Order No. | Hadička<br>Hose | A  | B   | L   | CH   |    |
|-------------|-------------------------|-----------------|----|-----|-----|------|----|
| MVS-54B     | BU 50030                | M54             | 4  | M5  | 5,5 | 21   | 11 |
| MVS-184B    | BU 50030                | G184            | 4  | 1/8 | 8,5 | 24   | 13 |
| MVS-144B    | BU 50030                | G144            | 4  | 1/4 | 11  | 27,5 | 16 |
| MVS-185B    | BU 50030                | G185            | 5  | 1/8 | 8,5 | 26,5 | 13 |
| MVS-186B    | BU 50030                | G186            | 6  | 1/8 | 8,5 | 26   | 13 |
| MVS-146B    | BU 50030                | G146            | 6  | 1/4 | 11  | 29,5 | 16 |
| MVS-188B    | BU 50030                | G188            | 8  | 1/8 | 8,5 | 27   | 15 |
| MVS-148B    | BU 50030                | G148            | 8  | 1/4 | 11  | 27,5 | 17 |
| MVS-388B    | BU 50030                | G388            | 8  | 3/8 | 12  | 26,5 | 19 |
| MVS-1410B   | BU 50030                | G1410           | 10 | 1/4 | 11  | 32   | 18 |
| MVS-3810B   | BU 50030                | G3810           | 10 | 3/8 | 12  | 33,5 | 19 |
| MVS-1210B   | BU 50030                | G1210           | 10 | 1/2 | 15  | 39   | 24 |
| MVS-3812B   | BU 50030                | G3812           | 12 | 3/8 | 12  | 36   | 21 |
| MVS-1212B   | BU 50030                | G1212           | 12 | 1/2 | 15  | 41   | 24 |

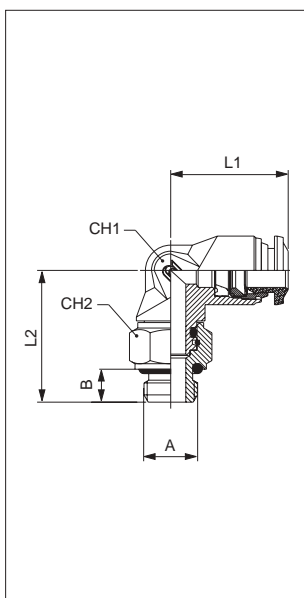
# Nástrčné šroubení - kovové / Push-in Fittings

## Řada BU 50000 / BU 50000 Series



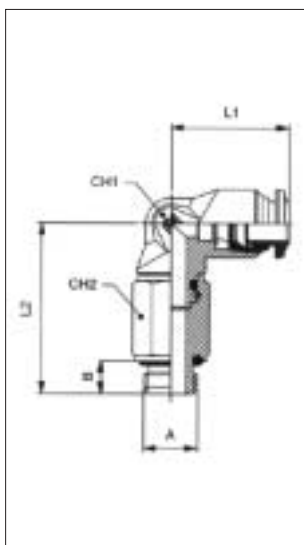
### Šroubení manometrové úhlové Orienting elbow female adaptor

| Typ<br>Type | Obj. číslo<br>Order No. | Hadička<br>Hose | A | B   | C   | L    | CH <sub>1</sub> | CH <sub>2</sub> |    |
|-------------|-------------------------|-----------------|---|-----|-----|------|-----------------|-----------------|----|
| MVLS-184B   | BU 50105                | G184            | 4 | 1/8 | 8,5 | 17   | 24              | 9               | 13 |
| MVLS-144B   | BU 50105                | G144            | 4 | 1/4 | 11  | 17   | 29,5            | 9               | 16 |
| MVLS-186B   | BU 50105                | G186            | 6 | 1/8 | 8,5 | 21   | 26              | 11              | 13 |
| MVLS-146B   | BU 50105                | G146            | 6 | 1/4 | 11  | 21   | 30,5            | 11              | 16 |
| MVLS-188B   | BU 50105                | G188            | 8 | 1/8 | 8,5 | 22,5 | 27,5            | 13              | 13 |
| MVLS-148B   | BU 50105                | G148            | 8 | 1/4 | 11  | 22,5 | 31,5            | 13              | 16 |



### Rohové šroubení otočné Orienting elbow male adaptor (parallel)

| Typ<br>Type    | Objednací č.<br>Order No. | Hadička<br>Hose | A  | B        | L <sub>1</sub> | L <sub>2</sub> | CH <sub>1</sub> | CH <sub>2</sub> |    |
|----------------|---------------------------|-----------------|----|----------|----------------|----------------|-----------------|-----------------|----|
| LDS-53B        | BU 50115                  | M53             | 3  | M5       | 5              | 17             | 20              | 9               | 8  |
| LDS-54B        | BU 50115                  | M54             | 4  | M5       | 5              | 17             | 29,5            | 9               | 8  |
| LDS-184B       | BU 50115                  | G184            | 4  | 1/8      | 6              | 17             | 22,5            | 9               | 13 |
| LDS-144B       | BU 50115                  | G144            | 4  | 1/4      | 8              | 17             | 27              | 9               | 16 |
| LDS-55B        | BU 50115                  | M55             | 5  | M5       | 5              | 20             | 22,5            | 11              | 8  |
| LDS-185B       | BU 50115                  | G185            | 5  | 1/8      | 6              | 20             | 24,5            | 11              | 8  |
| LDS-56B        | BU 50115                  | M56             | 6  | M5       | 5              | 21             | 22,5            | 11              | 8  |
| LDS-186B       | BU 50115                  | G186            | 6  | 1/8      | 6              | 21             | 24,5            | 11              | 13 |
| LDS-146B       | BU 50115                  | G146            | 6  | 1/4      | 8              | 21             | 28              | 11              | 16 |
| LDS-188B       | BU 50115                  | G188            | 8  | 1/8      | 6              | 22,5           | 26              | 13              | 13 |
| LDS-148B       | BU 50115                  | G148            | 8  | 1/4      | 8              | 22,5           | 29              | 13              | 16 |
| LDS-388B       | BU 50115                  | G388            | 8  | 3/8      | 9              | 22,5           | 31              | 13              | 18 |
| LDS-128B       | BU 50115                  | G128            | 8  | 1/2      | 10             | 22,5           | 32              | 13              | 22 |
| LDS-1410B      | BU 50115                  | G1410           | 10 | 1/4      | 8              | 26,5           | 31              | 16              | 16 |
| LDS-3810B      | BU 50115                  | G3810           | 10 | 3/8      | 9              | 26,5           | 33              | 16              | 18 |
| LDS-1210B      | BU 50115                  | G1210           | 10 | 1/2      | 10             | 26,5           | 34              | 16              | 22 |
| LDS-3812B      | BU 50115                  | G3812           | 12 | 3/8      | 9              | 30,5           | 36              | 19              | 18 |
| LDS-1212B      | BU 50115                  | G1212           | 12 | 1/2      | 10             | 30,5           | 37              | 19              | 22 |
| LDS-3814B      | BU 50115                  | G3814           | 14 | 3/8      | 9              | 32,5           | 37,5            | 19              | 18 |
| LDS-1214B      | BU 50115                  | G1214           | 14 | 1/2      | 10             | 32,5           | 38,5            | 19              | 22 |
| LDS-M12x16B    | BU 50115                  | M1216           | 6  | M12x1    | 8              | 21             | 28              | 11              | 16 |
| LDS-M12x1,256B | BU 50115                  | M121256         | 6  | M12x1,25 | 8              | 21             | 28              | 11              | 16 |
| LDS-M12x1,56B  | BU 50115                  | M12156          | 6  | M12x1,5  | 8              | 21             | 28              | 11              | 16 |

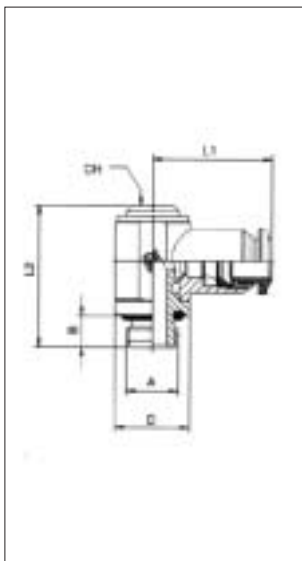


### Rohové otočné šroubení prodloužené Extended orienting elbow male adaptor (parallel)

| Typ<br>Type | Objednací č.<br>Order No. | Hadička<br>Hose | A  | B   | L <sub>1</sub> | L <sub>2</sub> | CH <sub>1</sub> | CH <sub>2</sub> |    |
|-------------|---------------------------|-----------------|----|-----|----------------|----------------|-----------------|-----------------|----|
| LDSL-184B   | BU 50125                  | G184            | 4  | 1/8 | 6              | 17             | 37,5            | 9               | 13 |
| LDSL-185B   | BU 50125                  | G185            | 5  | 1/8 | 6              | 20             | 39,5            | 11              | 13 |
| LDSL-186B   | BU 50125                  | G186            | 6  | 1/8 | 6              | 21             | 39,5            | 11              | 16 |
| LDSL-146B   | BU 50125                  | G146            | 6  | 1/4 | 8              | 21             | 46              | 13              | 16 |
| LDSL-188B   | BU 50125                  | G188            | 8  | 1/8 | 6              | 22,5           | 41              | 13              | 13 |
| LDSL-148B   | BU 50125                  | G148            | 8  | 1/4 | 8              | 22,5           | 47              | 13              | 16 |
| LDSL-388B   | BU 50125                  | G388            | 8  | 3/8 | 9              | 22,5           | 49,5            | 13              | 18 |
| LDSL-1410B  | BU 50125                  | G1410           | 10 | 1/4 | 8              | 26,5           | 49              | 16              | 16 |
| LDSL-3810B  | BU 50125                  | G3810           | 10 | 3/8 | 9              | 26,5           | 51,5            | 16              | 18 |

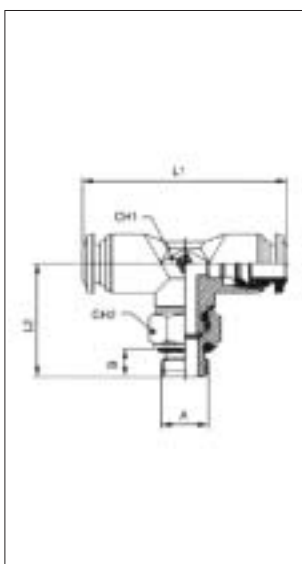
# Nástrčné šroubení - kovové / Push-in Fittings

## Řada BU 50000 / BU 50000 Series



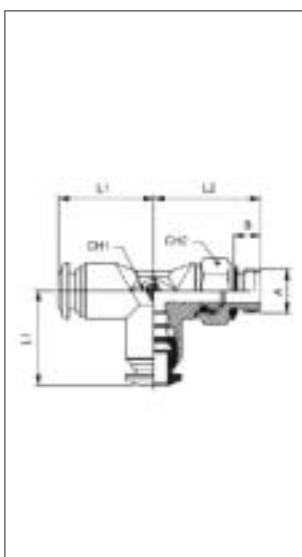
### Jednoduché otočné šroubení Orienting single banjo body male

| Typ<br>Type | Objednací č.<br>Order No. | Hadička<br>Hose | A  | B   | L <sub>1</sub> | L <sub>2</sub> | D    | CH |   |
|-------------|---------------------------|-----------------|----|-----|----------------|----------------|------|----|---|
| ESS-54B     | BU 50550                  | M54             | 4  | M5  | 5              | 19             | 24,5 | 9  | - |
| ESS-184B    | BU 50550                  | G184            | 4  | 1/8 | 6              | 21             | 27   | 14 | 5 |
| ESS-55B     | BU 50550                  | M55             | 5  | M5  | 5              | 20             | 24,5 | 9  | - |
| ESS-185B    | BU 50550                  | G185            | 5  | 1/8 | 6              | 21,5           | 27   | 14 | 5 |
| ESS-145B    | BU 50550                  | G145            | 5  | 1/4 | 8              | 24,5           | 30   | 18 | 6 |
| ESS-56B     | BU 50550                  | M56             | 6  | M5  | 5              | 20,5           | 24,5 | 9  | - |
| ESS-186B    | BU 50550                  | G186            | 6  | 1/8 | 6              | 22,5           | 27   | 14 | 5 |
| ESS-146B    | BU 50550                  | G146            | 6  | 1/4 | 8              | 25             | 30   | 18 | 6 |
| ESS-188B    | BU 50550                  | G188            | 8  | 1/8 | 6              | 24             | 27   | 14 | 5 |
| ESS-148B    | BU 50550                  | G148            | 8  | 1/4 | 8              | 26             | 30   | 18 | 6 |
| ESS-388B    | BU 50550                  | G388            | 8  | 3/8 | 9              | 32             | 35,5 | 21 | 7 |
| ESS-1410B   | BU 50550                  | G1410           | 10 | 1/4 | 8              | 29             | 30   | 18 | 6 |
| ESS-3810B   | BU 50550                  | G3810           | 10 | 3/8 | 9              | 30,5           | 35,5 | 21 | 7 |
| ESS-3812B   | BU 50550                  | G3812           | 12 | 3/8 | 9              | 32,5           | 35,5 | 21 | 7 |



### T - šroubení otočné Orienting Tee male adaptor (parallel) centre leg

| Typ<br>Type | Objednací č.<br>Order No. | Hadička<br>Hose | A  | B   | L <sub>1</sub> | L <sub>2</sub> | CH <sub>1</sub> | CH <sub>2</sub> |    |
|-------------|---------------------------|-----------------|----|-----|----------------|----------------|-----------------|-----------------|----|
| TDS-54B     | BU 50215                  | M54             | 4  | M5  | 5              | 34             | 20              | 9               | 8  |
| TDS-184B    | BU 50215                  | G184            | 4  | 1/8 | 6              | 34             | 22,5            | 9               | 13 |
| TDS-55B     | BU 50215                  | M55             | 5  | M5  | 5              | 40             | 22,5            | 11              | 8  |
| TDS-185B    | BU 50215                  | G185            | 5  | 1/8 | 6              | 40             | 24,5            | 11              | 13 |
| TDS-56B     | BU 50215                  | M56             | 6  | M5  | 5              | 42             | 22,5            | 11              | 8  |
| TDS-186B    | BU 50215                  | G186            | 6  | 1/8 | 6              | 42             | 24,5            | 11              | 13 |
| TDS-146B    | BU 50215                  | G146            | 6  | 1/4 | 8              | 42             | 28              | 11              | 16 |
| TDS-188B    | BU 50215                  | G188            | 8  | 1/8 | 6              | 45             | 26              | 13              | 13 |
| TDS-148B    | BU 50215                  | G148            | 8  | 1/4 | 8              | 45             | 29              | 13              | 16 |
| TDS-1410B   | BU 50215                  | G1410           | 10 | 1/4 | 8              | 53             | 31              | 16              | 16 |
| TDS-3810B   | BU 50215                  | G3810           | 10 | 3/8 | 9              | 53             | 33              | 16              | 18 |
| TDS-1210B   | BU 50215                  | G1210           | 10 | 1/2 | 10             | 53             | 34              | 16              | 22 |
| TDS-3812B   | BU 50215                  | G3812           | 12 | 3/8 | 9              | 61             | 36              | 19              | 18 |
| TDS-1212B   | BU 50215                  | G1212           | 12 | 1/2 | 10             | 61             | 37              | 19              | 22 |

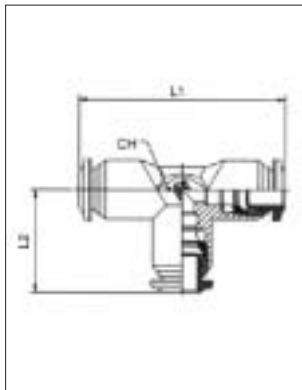


### T - šroubení otočné Orienting Tee male adaptor (parallel) off-set leg

| Typ<br>Typ | Objednací č.<br>Order No. | Hadička<br>Hose | A  | B   | L <sub>1</sub> | L <sub>2</sub> | CH <sub>1</sub> | CH <sub>2</sub> |    |
|------------|---------------------------|-----------------|----|-----|----------------|----------------|-----------------|-----------------|----|
| WDS-54B    | BU 50225                  | M54             | 4  | M5  | 5              | 17             | 20              | 9               | 8  |
| WDS-184B   | BU 50225                  | G184            | 4  | 1/8 | 6              | 17             | 22,5            | 9               | 13 |
| WDS-55B    | BU 50225                  | M55             | 5  | M5  | 5              | 20             | 22,5            | 11              | 8  |
| WDS-185B   | BU 50225                  | G185            | 5  | 1/8 | 6              | 20             | 24,5            | 11              | 13 |
| WDS-56B    | BU 50225                  | M56             | 6  | M5  | 5              | 21             | 22,5            | 11              | 8  |
| WDS-186B   | BU 50225                  | G186            | 6  | 1/8 | 6              | 21             | 24,5            | 11              | 13 |
| WDS-146B   | BU 50225                  | G146            | 6  | 1/4 | 8              | 21             | 28              | 11              | 16 |
| WDS-188B   | BU 50225                  | G188            | 8  | 1/8 | 6              | 22,5           | 26              | 13              | 13 |
| WDS-148B   | BU 50225                  | G148            | 8  | 1/4 | 8              | 22,5           | 29              | 13              | 16 |
| WDS-1410B  | BU 50225                  | G1410           | 10 | 1/4 | 8              | 26,5           | 31              | 16              | 16 |
| WDS-3810B  | BU 50225                  | G3810           | 10 | 3/8 | 9              | 26,5           | 33              | 16              | 18 |
| WDS-1210B  | BU 50225                  | G1210           | 10 | 1/2 | 10             | 26,5           | 34              | 16              | 22 |
| WDS-3812B  | BU 50225                  | G3812           | 12 | 3/8 | 9              | 30,5           | 36              | 19              | 18 |
| WDS-1212B  | BU 50225                  | G1212           | 12 | 1/2 | 10             | 30,5           | 37              | 19              | 22 |

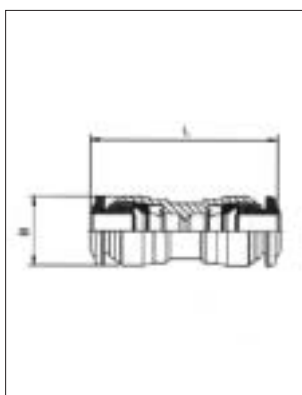
# Nástrčné šroubení - kovové / Push-in Fittings

## Řada BU 50000 / BU 50000 Series



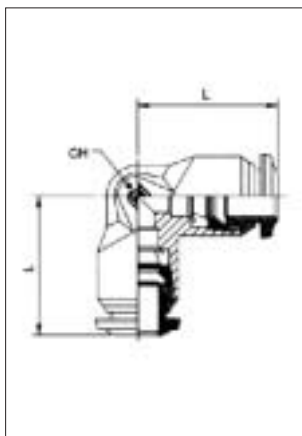
### T - šroubení Tee connector

| Typ<br>Type | Objednací č.<br>Order No. | Hadička<br>Hose | L <sub>1</sub> | L <sub>2</sub> | CH |
|-------------|---------------------------|-----------------|----------------|----------------|----|
| TVS-4B      | BU 50230-4                | 4               | 34             | 17             | 9  |
| TVS-5B      | BU 50230-5                | 5               | 40             | 20             | 11 |
| TVS-6B      | BU 50230-6                | 6               | 42             | 21             | 11 |
| TVS-8B      | BU 50230-8                | 8               | 45             | 22,5           | 13 |
| TVS-10B     | BU 50230-10               | 10              | 53             | 26,5           | 16 |
| TVS-12B     | BU 50230-12               | 12              | 61             | 30,5           | 19 |



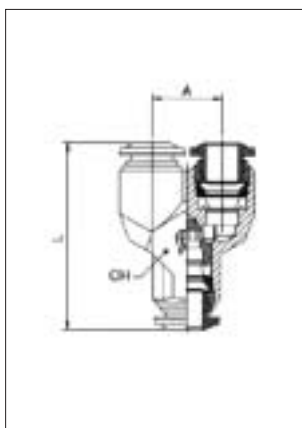
### Přímá spojka / redukce Straight connector

| Typ<br>Type | Objednací č.<br>Order No. | Hadička<br>Hose | ∅ D <sub>2</sub> | L    | B    |
|-------------|---------------------------|-----------------|------------------|------|------|
| GVS-4B      | BU 50040-4                | 4               | 4                | 30,5 | 11,5 |
| GVS-5B      | BU 50040-5                | 5               | 5                | 33   | 10,5 |
| GVS-64B     | BU 50040-64               | 6               | 4                | 32   | 12,5 |
| GVS-6B      | BU 50040-6                | 6               | 6                | 34   | 12,5 |
| GVS-86B     | BU 50040-86               | 8               | 6                | 35   | 14,5 |
| GVS-8B      | BU 50040-8                | 8               | 8                | 36   | 14,5 |
| GVS-10B     | BU 50040-10               | 10              | 10               | 42   | 17,5 |
| GVS-12B     | BU 50040-12               | 12              | 12               | 47   | 20,5 |



### Rohová spojka Elbow connector

| Typ<br>Type | Objednací č.<br>Order No. | Hadička<br>Hose | L    | CH |
|-------------|---------------------------|-----------------|------|----|
| WS-4B       | BU 50130-4                | 4               | 17   | 9  |
| WS-5B       | BU 50130-5                | 5               | 20   | 11 |
| WS-6B       | BU 50130-6                | 6               | 21   | 11 |
| WS-8B       | BU 50130-8                | 8               | 22,5 | 13 |
| WS-10B      | BU 50130-10               | 10              | 26,5 | 16 |
| WS-12B      | BU 50130-12               | 12              | 30,5 | 19 |

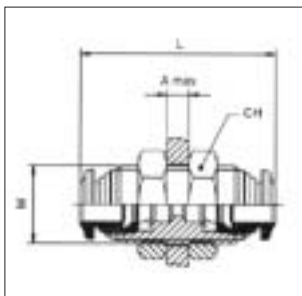


### Y-spojka Y connector

| Typ<br>Type | Objednací č.<br>Order No. | Hadička<br>Hose | A    | L    | CH |
|-------------|---------------------------|-----------------|------|------|----|
| YS-3B       | BU 50310-3                | 3               | 10   | 29   | 9  |
| YS-4B       | BU 50310-4                | 4               | 11   | 32   | 9  |
| YS-5B       | BU 50310-5                | 5               | 13,5 | 35   | 11 |
| YS-6B       | BU 50310-6                | 6               | 13,5 | 36,5 | 11 |
| YS-8B       | BU 50310-8                | 8               | 15,5 | 41   | 13 |

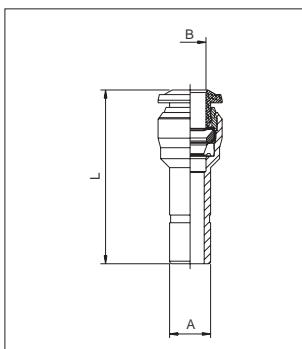
# Nástrčné šroubení - kovové / Push-in Fittings

## Řada BU 50000 / BU 50000 Series



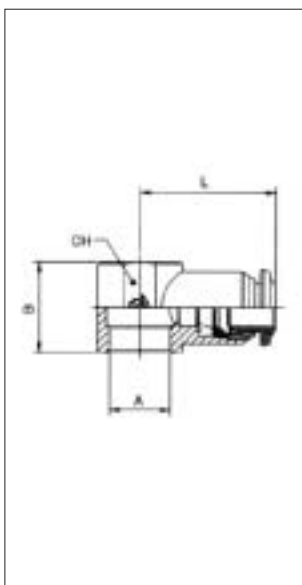
### Přepážková spojka / Bulkhead connector

| Typ<br>Type | Objednací č.<br>Order No. | Hadička<br>Hose | M     | L    | CH | A <sub>max</sub> |
|-------------|---------------------------|-----------------|-------|------|----|------------------|
| SOS-4B      | BU 50050                  | 4               | M12x1 | 31,5 | 17 | 7                |
| SOS-5B      | BU 50050                  | 5               | M14x1 | 33   | 17 | 7                |
| SOS-6B      | BU 50050                  | 6               | M14x1 | 35   | 17 | 9,5              |
| SOS-8B      | BU 50050                  | 8               | M16x1 | 37   | 19 | 10,5             |
| SOS-10B     | BU 50050                  | 10              | M20x1 | 43   | 24 | 12,5             |
| SOS-12B     | BU 50050                  | 12              | M22x1 | 48   | 26 | 16,5             |



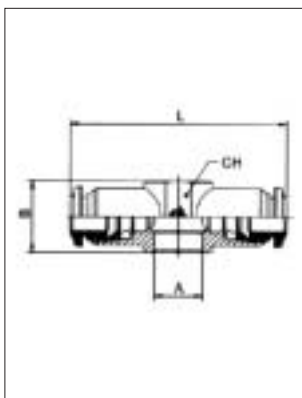
### Redukční nástrčné hrdlo / Reducer

| Typ<br>Type | Objednací č.<br>Order No. | A  | B | L  |
|-------------|---------------------------|----|---|----|
| R-43P       | BU 50700-43               | 4  | 3 | 27 |
| R-54P       | BU 50700-54               | 5  | 4 | 29 |
| R-64P       | BU 50700-64               | 6  | 4 | 30 |
| R-65P       | BU 50700-65               | 6  | 5 | 32 |
| R-84P       | BU 50700-84               | 8  | 4 | 33 |
| R-86P       | BU 50700-86               | 8  | 6 | 34 |
| R-104P      | BU 50700-104              | 10 | 4 | 32 |
| R-108P      | BU 50700-108              | 10 | 8 | 38 |
| R-128P      | BU 50700-128              | 12 | 8 | 39 |



### Jednoduchá kruhová objímka k dutému šroubu typ H Single banjo body

| Typ<br>Type | Objednací č.<br>Order No. | Hadička<br>Hose | A  | B   | L    | CH   | Použití s dutým šroubem typ<br>Using hollow screw type |
|-------------|---------------------------|-----------------|----|-----|------|------|--|
| RES-54B     | BU 50500                  | M54             | 4  | M5  | 12,5 | 19   | - H-x 5B   |
| RES-184B    | BU 50500                  | G184            | 4  | 1/8 | 15   | 21   | 14 H-x 18B   |
| RES-55B     | BU 50500                  | M55             | 5  | M5  | 12,5 | 20   | - H-x 5B   |
| RES-185B    | BU 50500                  | G185            | 5  | 1/8 | 15   | 21,5 | 14 H-x 18B   |
| RES-145B    | BU 50500                  | G145            | 5  | 1/4 | 17   | 24,5 | 18 H-x 14B   |
| RES-56B     | BU 50500                  | M56             | 6  | M5  | 12,5 | 20,5 | - H-x 5B   |
| RES-186B    | BU 50500                  | G186            | 6  | 1/8 | 15   | 22   | 14 H-x 18B   |
| RES-146B    | BU 50500                  | G146            | 6  | 1/4 | 17   | 25   | 18 H-x 14B   |
| RES-188B    | BU 50500                  | G188            | 8  | 1/8 | 15   | 24   | 14 H-x 18B   |
| RES-148B    | BU 50500                  | G148            | 8  | 1/4 | 17   | 26   | 18 H-x 14B   |
| RES-388B    | BU 50500                  | G388            | 8  | 3/8 | 20   | 28   | 21 H-x 38B   |
| RES-1410B   | BU 50500                  | G1410           | 10 | 1/4 | 17   | 29   | 18 H-x 14B   |
| RES-3810B   | BU 50500                  | G3810           | 10 | 3/8 | 20   | 30,5 | 21 H-x 38B   |
| RES-3812B   | BU 50500                  | G3812           | 12 | 3/8 | 20   | 32,5 | 21 H-x 38B   |
| RES-1214B   | BU 50500                  | G1214           | 14 | 1/2 | 24   | 35,5 | 25 H-x 15B   |



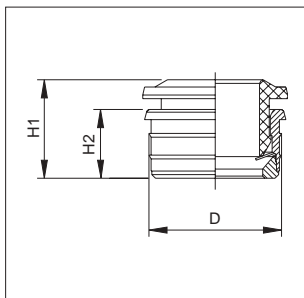
### Dvojitá kruhová objímka k dutému šroubu typ H Double banjo body

| Typ<br>Type | Objednací č.<br>Order No. | Hadička<br>Hose | A | B   | L    | CH | Použití s dutým šroubem typ<br>Using hollow screw type |
|-------------|---------------------------|-----------------|---|-----|------|----|--|
| RDS-54B     | BU 50510                  | M54             | 4 | M5  | 12,5 | 38 | - H-x5B  |
| RDS-184B    | BU 50510                  | G184            | 4 | 1/8 | 15   | 42 | 14 H-x18B  |
| RDS-185B    | BU 50510                  | G185            | 5 | 1/8 | 15   | 43 | 14 H-x18B  |
| RDS-145B    | BU 50510                  | G145            | 5 | 1/4 | 17   | 49 | 18 H-x14B  |
| RDS-186B    | BU 50510                  | G186            | 6 | 1/8 | 15   | 44 | 14 H-x18B  |
| RDS-146B    | BU 50510                  | G146            | 6 | 1/4 | 17   | 50 | 18 H-x14B  |
| RDS-188B    | BU 50510                  | G188            | 8 | 1/8 | 15   | 48 | 14 H-x18B  |
| RDS-148B    | BU 50510                  | G148            | 8 | 1/4 | 17   | 52 | 18 H-x14B  |



# Nástrčné šroubení - kovové / Push-in Fittings

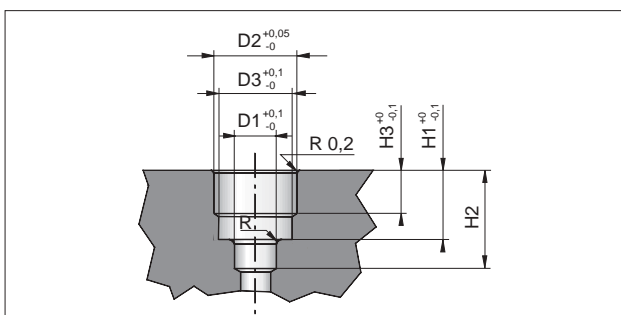
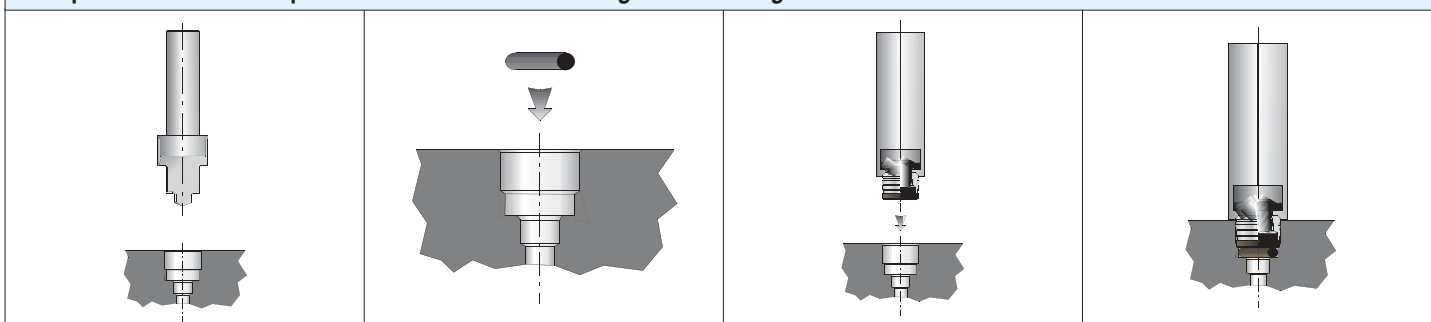
## Řada BU 55000 / BU 55000 Series



### Šroubení pro zalisování / Push-fit cartridges

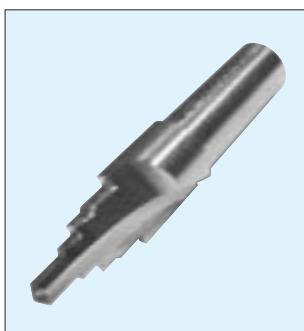
| Typ / Objednáací č.<br>Type / Order No. | Hadička<br>Hose | D    | H1   | H2   |
|---|-----------------|------|------|------|
| BU 55800R-3                             | 3               | 7,4  | 10   | 7,1  |
| BU 55800R-4                             | 4               | 9    | 11,3 | 8,2  |
| BU 55800R-5                             | 5               | 10   | 13   | 9,3  |
| BU 55800R-6                             | 6               | 11   | 13,2 | 9,5  |
| BU 55800R-8                             | 8               | 13   | 12,9 | 9,5  |
| BU 55800R-10                            | 10              | 16,3 | 15,7 | 22,5 |
| BU 55800R-12                            | 12              | 19,2 | 18,1 | 13,8 |

### Postup montáže šroubení pro zalisování / Push-fit cartridges assembling instructions



### Rozměry sedla / Seats dimensions push-fit cartridges

| Typ / Objednáací č.<br>Type / Order No. | Hadička<br>Hose | D <sub>1</sub> | D <sub>2</sub> | D <sub>3</sub> | H <sub>1</sub> | H <sub>2</sub> | H <sub>3</sub> | R    |
|---|-----------------|----------------|----------------|----------------|----------------|----------------|----------------|------|
| BU 55800R-3                             | 3               | 3,4            | 7,1            | 5,5            | 6,3            | 9,5            | 0,3            | 0,5  |
| BU 55800R-4                             | 4               | 4,2            | 8,7            | 7,3            | 7,3            | 10,5           | 0,3            | 0,5  |
| BU 55800R-5                             | 5               | 5,2            | 9,7            | 8,1            | 8,5            | 11,5           | 0,4            | 0,5  |
| BU 55800R-6                             | 6               | 6,2            | 10,7           | 9,1            | 8,5            | 12,5           | 0,4            | 0,5  |
| BU 55800R-8                             | 8               | 8,2            | 12,7           | 10,8           | 8,5            | 12,5           | 0,4            | 0,75 |
| BU 55800R-10                            | 10              | 10,2           | 16             | 14             | 11             | 15,5           | 0,4            | 0,75 |
| BU 55800R-12                            | 12              | 12,2           | 18,8           | 17             | 13             | 18             | 0,5            | 1    |



### Nástroj na výrobu sedla šroubení pro zalisování Tool for push-fit cartridges seat

| Typ / Objednáací č.<br>Type / Order No. | Hadička<br>Hose | Ø stopky<br>Body |
|---|-----------------|------------------|
| BU 55801-3                              | 3               | 10               |
| BU 55801-4                              | 4               | 10               |
| BU 55801-5                              | 5               | 12               |
| BU 55801-6                              | 6               | 12               |
| BU 55801-8                              | 8               | 12               |
| BU 55801-10                             | 10              | 16               |
| BU 55801-12                             | 12              | 16               |

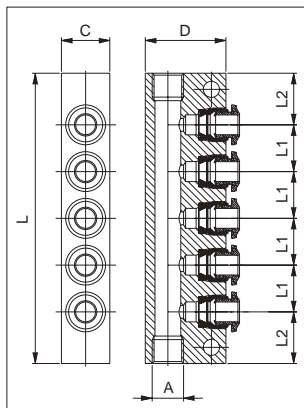


### Montání náradí pro šroubení pro zalisování Assembling tool for push-fit cartridges

| Typ / Objednáací č.<br>Type / Order No. | Hadička<br>Hose |
|---|-----------------|
| BU 55802-3                              | 3               |
| BU 55802-4                              | 4               |
| BU 55802-5                              | 5               |
| BU 55802-6                              | 6               |
| BU 55802-8                              | 8               |
| BU 55802-10                             | 10              |
| BU 55802-12                             | 12              |

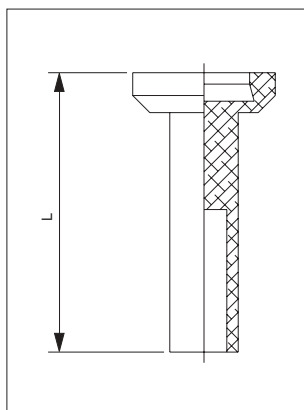
# Nástrčné šroubení - kovové / Push-in Fittings

## Řada BU 55000 / BU 55000 Series



### Deska hliníková pěticestná / Aluminium manifold 5 ways

| Typ<br>Type | Objednací č.<br>Order No. | Hadička<br>Hose | A   | C  | D  | L   | L <sub>1</sub> | L <sub>2</sub> |
|-------------|---------------------------|-----------------|-----|----|----|-----|----------------|----------------|
| LRS5-184B   | BU 50900 G184             | 4               | 1/8 | 15 | 25 | 75  | 12             | 13,5           |
| LRS5-186B   | BU 50900 G186             | 6               | 1/8 | 15 | 25 | 90  | 14,5           | 16             |
| LRS5-146B   | BU 50900 G146             | 6               | 1/4 | 20 | 30 | 90  | 14,5           | 16             |
| LRS5-148B   | BU 50900 G148             | 8               | 1/4 | 20 | 30 | 100 | 16             | 18             |



### Záslepka (Rilsan PA11) / Plug (Rilsan PA11)

| Typ<br>Type | Objednací č.<br>Order No. | Hadička<br>Hose | L    |
|-------------|---------------------------|-----------------|------|
| ZS-4B       | BU 8610-4                 | 4               | 23,5 |
| ZS-5B       | BU 8610-5                 | 5               | 24,5 |
| ZS-6B       | BU 8610-6                 | 6               | 24,5 |
| ZS-8B       | BU 8610-8                 | 8               | 26   |
| ZS-10B      | BU 8610-10                | 10              | 28,5 |
| ZS-12B      | BU 8610-12                | 12              | 30,5 |